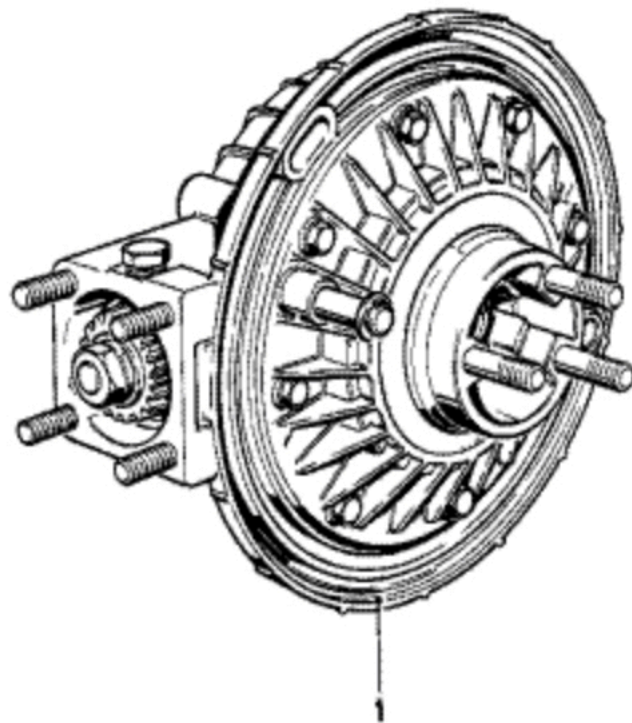


**Rear-axle-drive**  
[Zoom In.. opens new tab](#)



No.	Description	Supplement	Quantity	From	UpTo	Part Number
01	Rear-axle-drive	I=37:11=3,36	1			33112302420 \$